

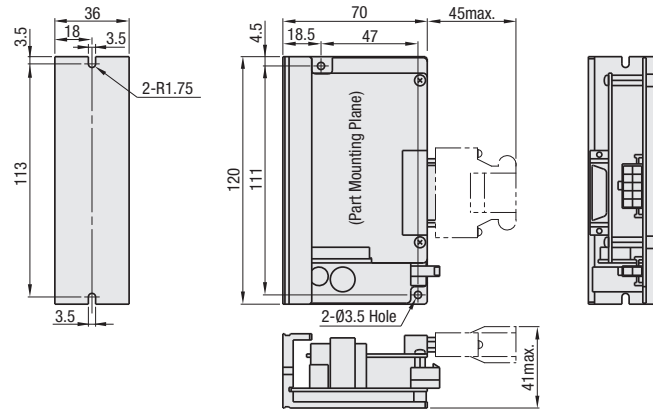
Specification Of Oriental Motor α Step Driver

Oriental Motor α Step ASC36AK

Driver Basic Specifications

Input Power Supply		DC24V \pm 10%
Velocity / Position Control Commands		Pulse Input
Maximum Input Pulse Frequency		250 kHz (When pulse duty is 50%)
Protection Functions		When the following protective functions are activated, motor stops automatically with alarm signal. Overload, overvoltage and velocity error protections, and overspend, EEPROM data error, sensor error and system error
Input Signal		Photo Coupler Input / Input Resistance: 220 Ω Input Current: 7~20 mA [CW Pulse / CCW Pulse (Negative Logic Pulse Input), Pulse / Rotational Direction Switch (Negative Logic Pulse Input) / Current OFF / Alarm Clear / Resolution Switch]
Output Signal		Photo Coupler / Open-Collector Output External Use Condition: DC30V / 15mA max. (Positioning Completion Signal, Alarm Signal) Transistor / Open-Collector Output Interface Condition: DC30V, 15 mA max. (Feedback Pulse A/B Signal)
Insulation Resistance		100M Ω minimum when measured by DC500V megger between the following places. - Heat Sink - Power Supply Input Terminals
Dielectric Strength Voltage		Sufficient to withstand the following for one minute: - Heat Sink - Power Supply Input Terminals 0.5kV 50Hz or 60Hz
Operating Environment (in Operation)	Operating Temperature	0~+40 $^{\circ}$ C (No Freezing)
	Operating Humidity	85%RH or below (No Condensation)
	Ambience	No corrosive gases or dust. No direct contact with water or oil.

External Dimension Diagram

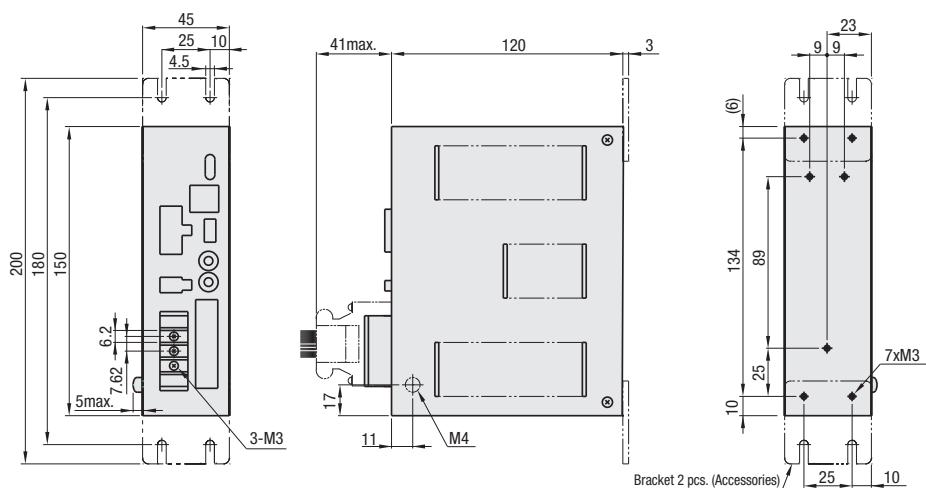


Oriental Motor α Step AS46AA (MA) / AS66AAE (MAE)

Driver Basic Specifications

Input Power Supply		Single-phase AC100-115V -15~+10% 50/60Hz
Velocity / Position Control Commands		Pulse Input
Maximum Input Pulse Frequency		250 kHz (when pulse duty is 50%)
Protection Functions		When the following protective functions are activated, motor stops automatically with alarm signal. Overheat, overload, overvoltage, velocity error and over current protections, and over speed protections, EEPROM data error, sensor error and system error
Input Signal		Photo Coupler Input / Input Resistance: 220 Ω Input Current: 7~20 mA [CW Pulse / CCW Pulse (Negative Logic Pulse Input), Pulse / Rotational Direction Switch (Negative Logic Pulse Input) / Current OFF / Alarm Clear / Resolution Switch]
Output Signal		Photo Coupler / Open-Collector Output External Use Conditions: DC30V, 15mA max. (Positioning Completion Signal and Alarm Signal) Transistor Open-Collector Output External Use Conditions: DC30V, 15 mA max. (Timing, Feedback Pulse A/B-phase) Line Driver Output 26C31 Equivalent (Timing, Feedback Pulse A/B-phase)
Insulation Resistance		100M Ω minimum when measured by DC500V megger between the following places. · Frame - Power Supply Input Terminals, I/O - Power Supply Input Terminals
Dielectric Strength Voltage		Sufficient to withstand the following for one minute: · Frame - Power Supply Input Terminals 1.5kV 50Hz or 60Hz, I/O Power Supply Input Output Terminals 2.3kV 50Hz or 60Hz
Operating Environment (in Operation)	Operating Temperature	0~+50°C (No Freezing)
	Operating Humidity	85%RH or below (No Condensation)
	Ambience	No corrosive gases or dust. No direct contact with water or oil.

External Dimension Diagram



Specification Of Oriental Moter 5-phase Stepping Driver

Oriental Motor 5-phase Stepping Motors RKS545AA (MA) / RKS566AA (MA)

Driver Basic Specifications

Input Power Supply	Single-phase power:100V~120V+10% 50/60Hz
Velocity / Position Control Commands	Pulse Input
Maximum Input Pulse Frequency	When the host controller is a line driver output:500kHz (When pulse duty is 50%) When the host controller is an open-collector output: 250 kHz (When pulse duty is 50%)*1
Protection Functions	When an alarm occurs, the ALM output turns OFF, excitation of the motor is cut off, and holding torque disappears. At the same time the ALARME LED flashes. In the case of a motor with an electromagnetic brake, the electromagnetic brake is automatically held. [Over heat,Over voltage,Over speed,Over current,Over electric current,Voltage shortage,Error of auto control for electromagnetic brake,Error of electrolytic capacitor,EEPROM error,Error of CPU peripheral circuit.]
Input Signal	Photocoupler Input signal voltage:11.4V~26.4V [AWO,CS,FREE,ALM-RST] Photocoupler Input signal voltage:3V~5.25V [CW(PLS)+5V,CCW(DIR)+5V] Photocoupler Input signal voltage:21.6V~26.4V [CW(PLS)+24V,CCW(DIR)+24V]
Output Signal	Photocoupler • Open collector output External use condition :DC30V,10mA or less [REQDY,ALM,TIM]
Function	When an alarm occurs, the ALM output turns OFF, excitation of the motor is cut off, and holding torque disappears. At the same time the ALARME LED flashes. In the case of a motor with an electromagnetic brake, the electromagnetic brake is automatically held. [Over heat,Over voltage,Over speed,Over current,Over electric current,Voltage shortage,Error of auto control for electromagnetic brake,Error of electrolytic capacitor,EEPROM error,Error of CPU peripheral circuit.]
Insulation resistance	100 MΩ or more when 500 VDC megger is applied between the following places • Protective Earth Terminal - Power supply • Signal I/O terminals - Power supply terminals
Withstand voltage	Sufficient to withstand the following for 1 minute. • Protective Earth Terminal - Power supply terminals:AC1.8kV 50Hz or 60Hz • Signal I/O terminals - Power supply terminals:AC1.9kV 50Hz or 60Hz
Operating Environment	Operating Temperature
	Operating Humidity
	Ambience

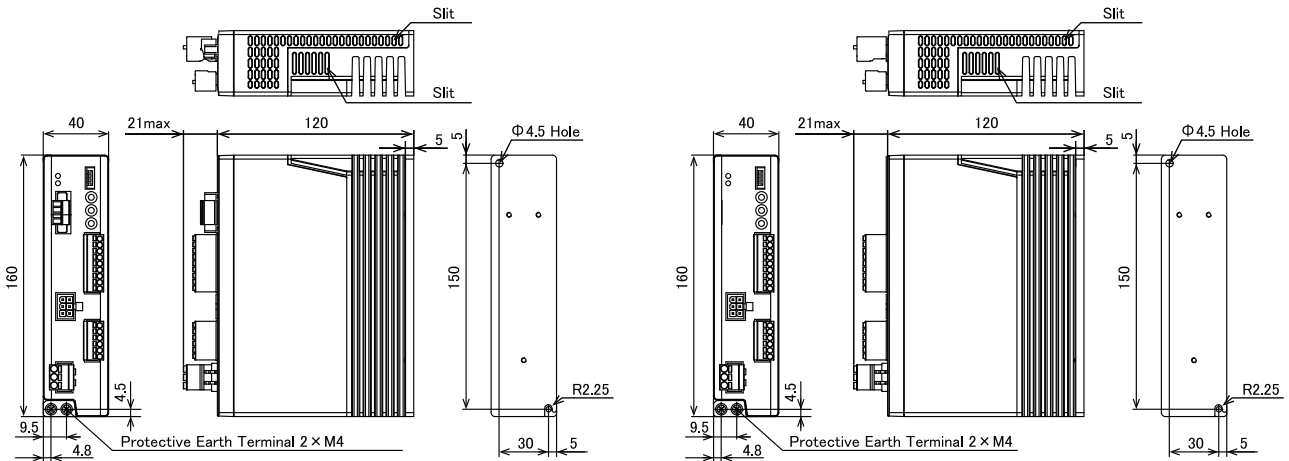
* 1 In case of set on the aluminium heat radiating plate,above 200 × 200 × 2mm.

* Electromagnetic type only

External Dimension Diagram

RKS545AA (MA)

RKS566AA (MA)



Cables

Recommended for use with SX Single Axis Actuator with motor. A 3m long cable is included as the standard accessory; if different cable length is required, order the cable separately.
Other than those listed on this page, FA Electronics Catalog lists more various items with shield or custom alterations. For details, please see Wiring Components Catalog.

Cables for Oriental Motors

Part Number	Cable Type	Length (m)	Applicable Actuators	Motors	Motor/Driver Set Number	QExternal Dimension Diagram (mm)
CC010VA2R2	For without brake type	1	SXM20	T1E	AR26SAK	
CC020VA2R2		2				
CC030VA2R2		3				
CC050VA2R2		5				
CC070VA2R2		7				
CC100VA2R2		10				
CC150VA2R2		15				
CC200VA2R2		20				
CC300VA2R2	30					
CC010VAR	For without brake type	1	SXM20 SXM26 SXM30 SXM45	T2E T3E	AR46AA AR66AA	
CC020VAR		2				
CC030VAR		3				
CC050VAR		5				
CC070VAR		7				
CC100VAR		10				
CC150VAR		15				
CC200VAR		20				
CC300VAR	30					
CC010VARB	For a motor with an electromagnetic brake ※1	1	SXM20 SXM26 SXM30 SXM45	T2BE T3BE	AR46MA AR66MA	
CC020VARB		2				
CC030VARB		3				
CC050VARB		5				
CC070VARB		7				
CC100VARB		10				
CC150VARB		15				
CC200VARB		20				
CC300VARB	30					
CC010VPF	For without brake type	1	SXM20 SXM26 SXM30 SXM45	T4E T5E	RKS545AA RKS566AA	
CC020VPF		2				
CC030VPF		3				
CC050VPF		5				
CC070VPF		7				
CC100VPF		10				
CC150VPF		15				
CC200VPF		20				
CC300VPF	30					
CC010VPFB	For a motor with an electromagnetic brake ※1	1	SXM20 SXM26 SXM30 SXM45	T4BE T5BE	RKS566MA	
CC020VPFB		2				
CC030VPFB		3				
CC050VPFB		5				
CC070VPFB		7				
CC100VPFB		10				
CC150VPFB		15				
CC200VPFB		20				

DISCONTINUED

Ordering example: **Part Number** - **Cable Type** - **Length** - **Insulation Strip Length**
 SVPM-J3HF1 - B - 5 - 0.5
 *Insulation strip length can be specified for SVPM only.

Single Axis Actuator