

Motorized Stage Unit Example

Can be made your own unit with our 2,000 kinds of variety stages.

Available to make your own units by combined requirement stages.

We show the sample of units in response to the scenes.

*Please contact us for more details.

*Price

Design or adjustment fee in the original unit will arise. Please refer.

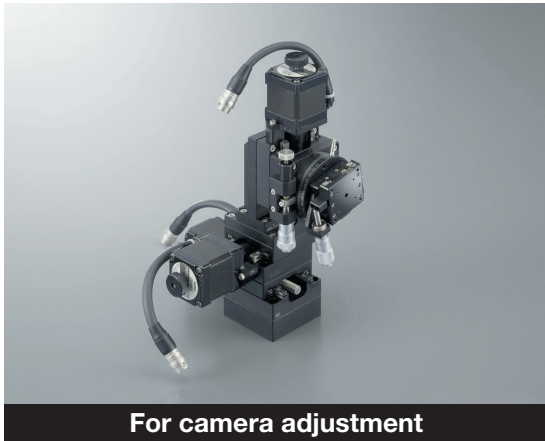
- Linear and rotation centering
- Competition and interference
- Customized spacer or additional processing

Please feel free to ask us about units.

TEL +81-3-6403-4513
FAX +81-3-6403-4514

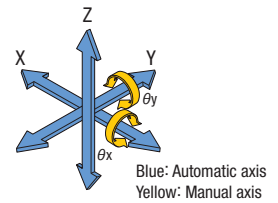
Semiautomatic unit

Additional of the manual tilt mechanism can be contributed to flexibility in positioning.

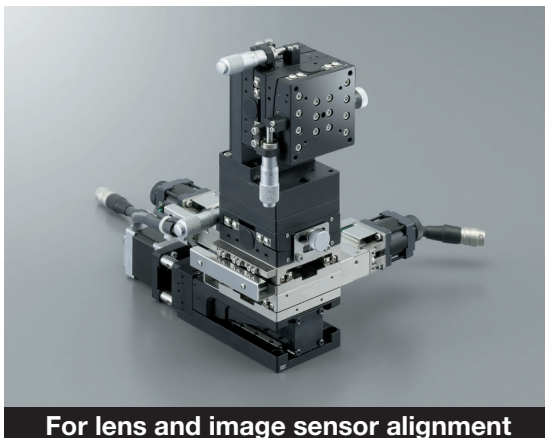


5-axis unit

Add the manual tilt stage for the 3-axis linear unit.

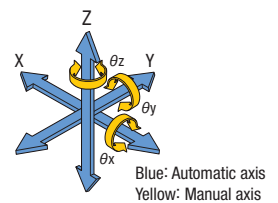


Axis	Model	Page
X	KWC06020-LC	▶P.1-089
Y		
Z		
θ_x	B43-60N	▶P.2-171
θ_y	B58-40UC	▶P.2-159



6-axis unit

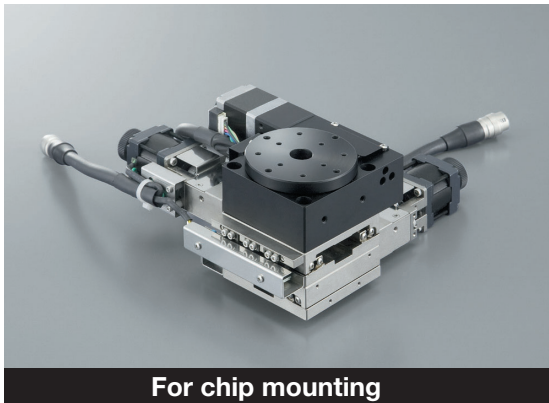
Add the manual tilt stage for the 3-axis linear unit.



Axis	Model	Page
X	PMG615 series	▶P.1-029
Y		
Z	KHC06004F-5	▶P.1-117
θ_x	B58-60	▶P.2-163
θ_{yz}	B59-60	

Totally automatic

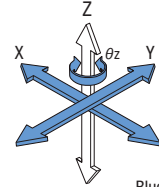
Various positioning unit are supported depending on your purpose.



For chip mounting

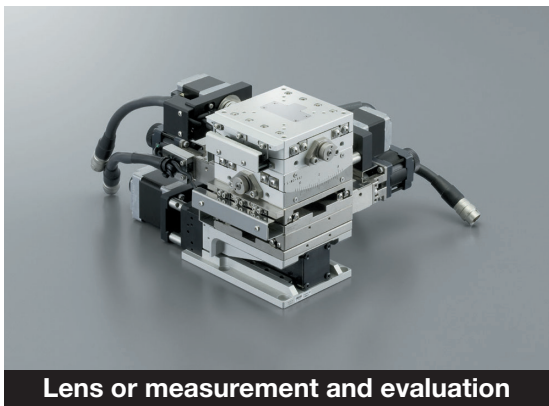
3-axis unit

Combined the newest stage into the rotation stage.



Blue: Automatic axis

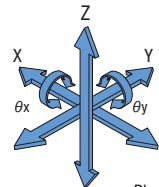
Axis	Model	Page
X	PMG615 series	▶P.1-029
Y		
θ	KRB06011	▶P.1-170



Lens or measurement and evaluation

5-axis unit

Combined the XY stage into thin-type horizontal Z stage and 2 goniometer stages.



Blue: Automatic axis

Axis	Model	Page
X	PMG715 series	▶P.1-029
Y		
Z	KH0704 series	▶P.1-117
θ_{xy}	KAB07070AL	▶P.1-145

Custom

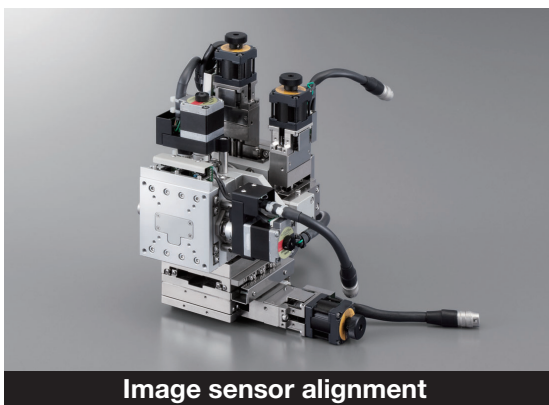
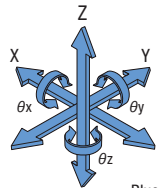


Image sensor alignment

6-axis unit (High durability. Compact type)

6-axis unit which all of -axis used by ball screws.

This is a high performance model combined into a single structure with an XYZ-axis and travel guide.



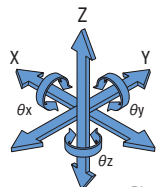
Blue: Automatic axis



Assembly for camera module

6-axis unit (High rigidity)

This high rigidity 6-axis unit that is configured ball screw goniometer stage and rotation stage.



Blue: Automatic axis