

Motorized Stage

Precision specifications and prices remain unchanged by the sensor change.

① Change in sensor specification

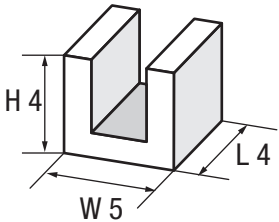
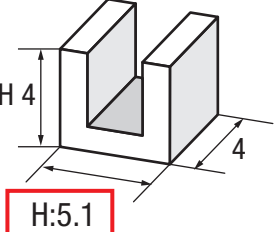
	Previous model	New model
Model number for sensor	EE-SX4134	EE-SX4320
Manufacturer	OMRON	OMRON
Connection method	Surface mounting type	Surface mounting type
Detection distance	2mm (Groove width)	2mm (Groove width)
Detection method	Transmissive (Groove type)	Transmissive (Groove type)
Output	Photo IC	Photo IC
Power supply voltage of Sensor board	DC5 ~ 24V ± 10%	DC5 ~ 24V ± 10%
Current consumption of sensor board	60mA or below	60mA or below
Control output of sensor board	NPN open collector outputs DC5~24V 8mA or below Residual current 0.3V or below (When load current is 2mA)	NPN open collector outputs DC5~24V 8mA or below Residual current 0.3V or below (When load current is 2mA)
Output logic	Detection (Shading) : Output transistor OFF(non-conduction)	Detection (Shading) : Output transistor OFF(non-conduction)
Size of slit LxW(mm)	Emitter :1.5 x 1.5 Detector : 1 x 0.3	Emitter :1.4 x 1.4 Detector : 1 x 0.3

② Product

Linear ball guide	X - axis	KXT04015 / KXT06015 KXG06020 / KXG06030
	XY -axis	KYG06020 / KYG06030
	Z -axis	KZG06020 / KZG06030
	XYZ -axis	KWG06020 / KWG06030
	Horizontal Z	KHE04006-C / KHE06008-C
Crossed roller guide	X -axis	KXC04015 / KXC06020
	XY -axis	KYC04015 / KYC06020
	Z -axis	KZC04015 / KZC06020
	XYZ -axis	KWC04015 / KWC06020
	Horizontal Z	KHC06004F / KHC07004F
Ball screw type Sinemotion Goniometer Stage	θ x -axis	KGB06
	θ xy -axis	KAB06
Goniometer stage	θ x -axis	KGW04 / KG05 / KGW06
	θ xy -axis	KAW04 / KA05 / KAW06
Rotary Stage	θ -axis	KRW04360 / KRW06360C KRE04360 / KRE06360
	θ x -axis	KRW06360C-Z
Ball screw type inemotion Rotary Stage	θ -axis	KRB04017C / KRB06011C

Model numbers remain unchanged as there is no effect for specifications and dimension of the stages.

③ Dimensions

Previous model	New model
EE-SX4134 W x L x H : 4 x 5 x 4 (mm)	EE-SX4320 W x L x H : 4 x 5.1 x 4 (mm)
	

Dimension of the stages remains unchanged as the sensor is mounted on a same sensor board as previous model.